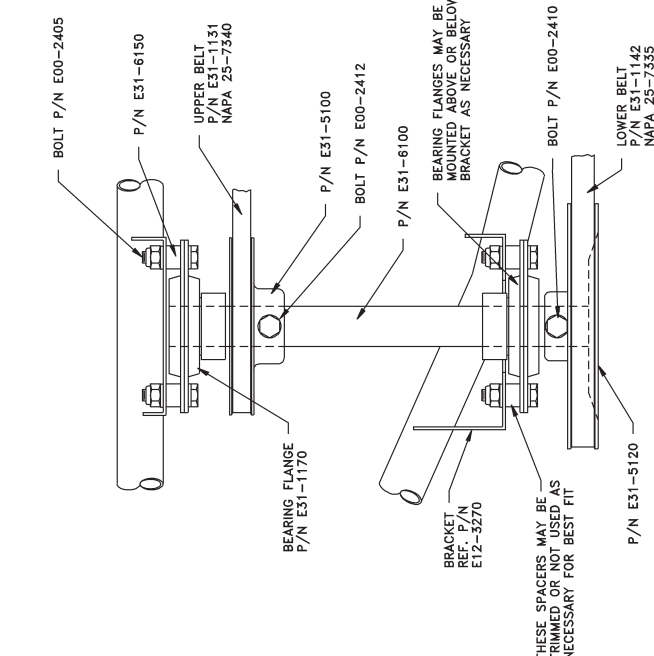
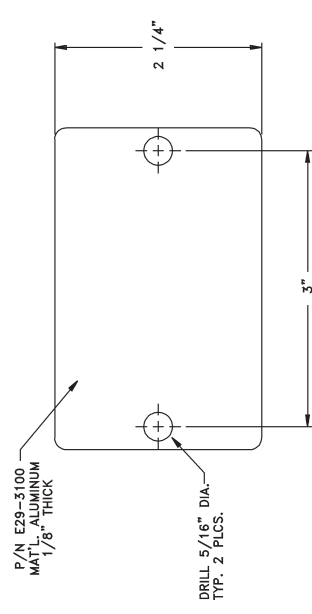


**FAN DRIVE COUNTERSHAFT**

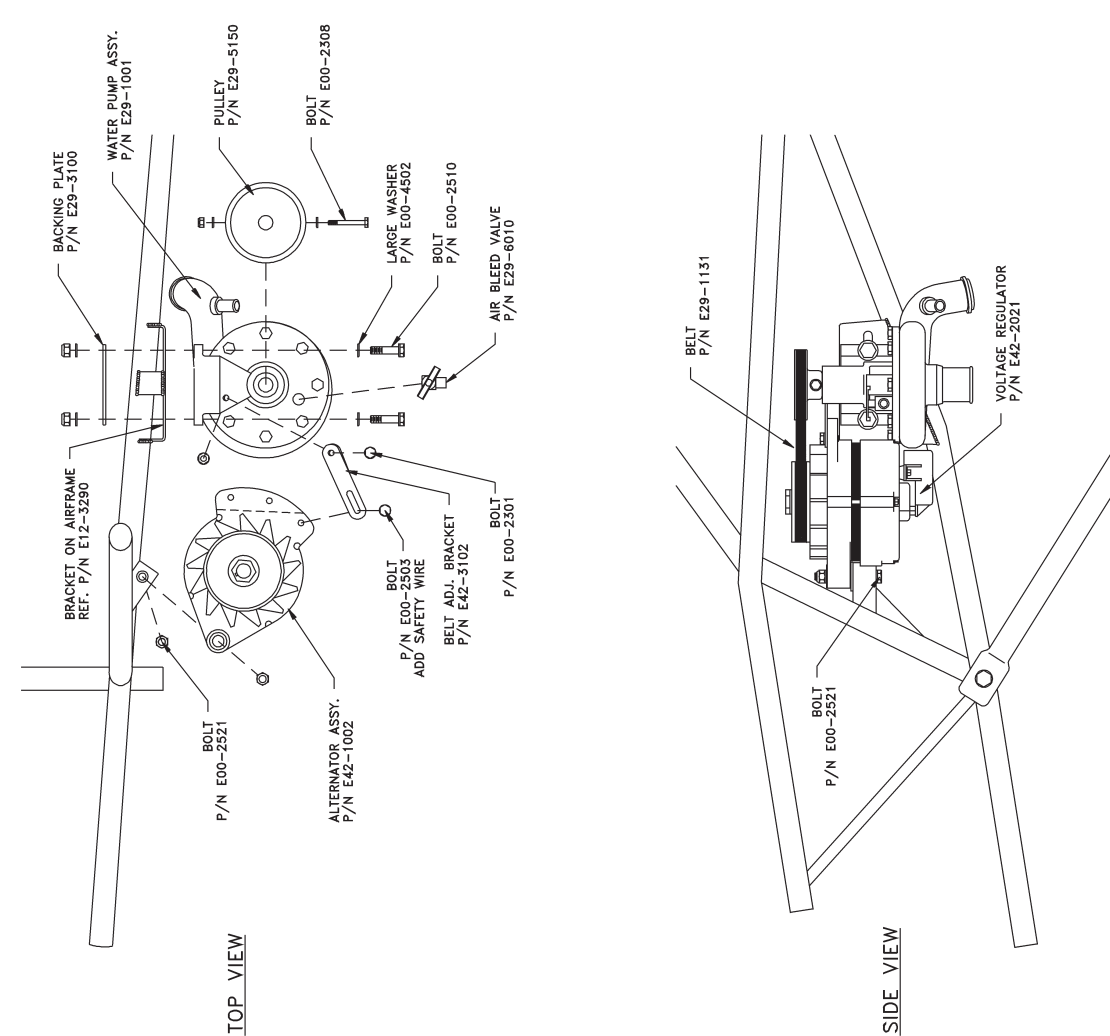


NOTE: SPACE PULLEYS APART TO MATCH CORRESPONDING DRIVE PULLEYS ON SECONDARY UNIT.

**WATER PUMP BACKING PLATE**



**WATER PUMP AND ALTERNATOR MOUNTING**



ROTORWAY INTERNATIONAL CHANDLER, ARIZONA	
SCALE: NONE	APPROVED BY:
DATE: 3-2-84	REVISED: 10-1-01
FAN DRIVE COUNTERSHAFT WATER PUMP AND ALTERNATOR MOUNTING	
10-1-01 REVISION 5: BELT P/N'S CHANGED	DRAWING NUMBER: E31-2000-5
1-12-96 REVISION 4: BOLT E00-2410 ADDED	
8-19-96 REVISION 3: NEW WATER PUMP	
5-15-95 REVISION 2: CHANGE ADJ. BKT. BOLTS	
4-25-95 REVISION 1: NEW ALTERNATOR	